



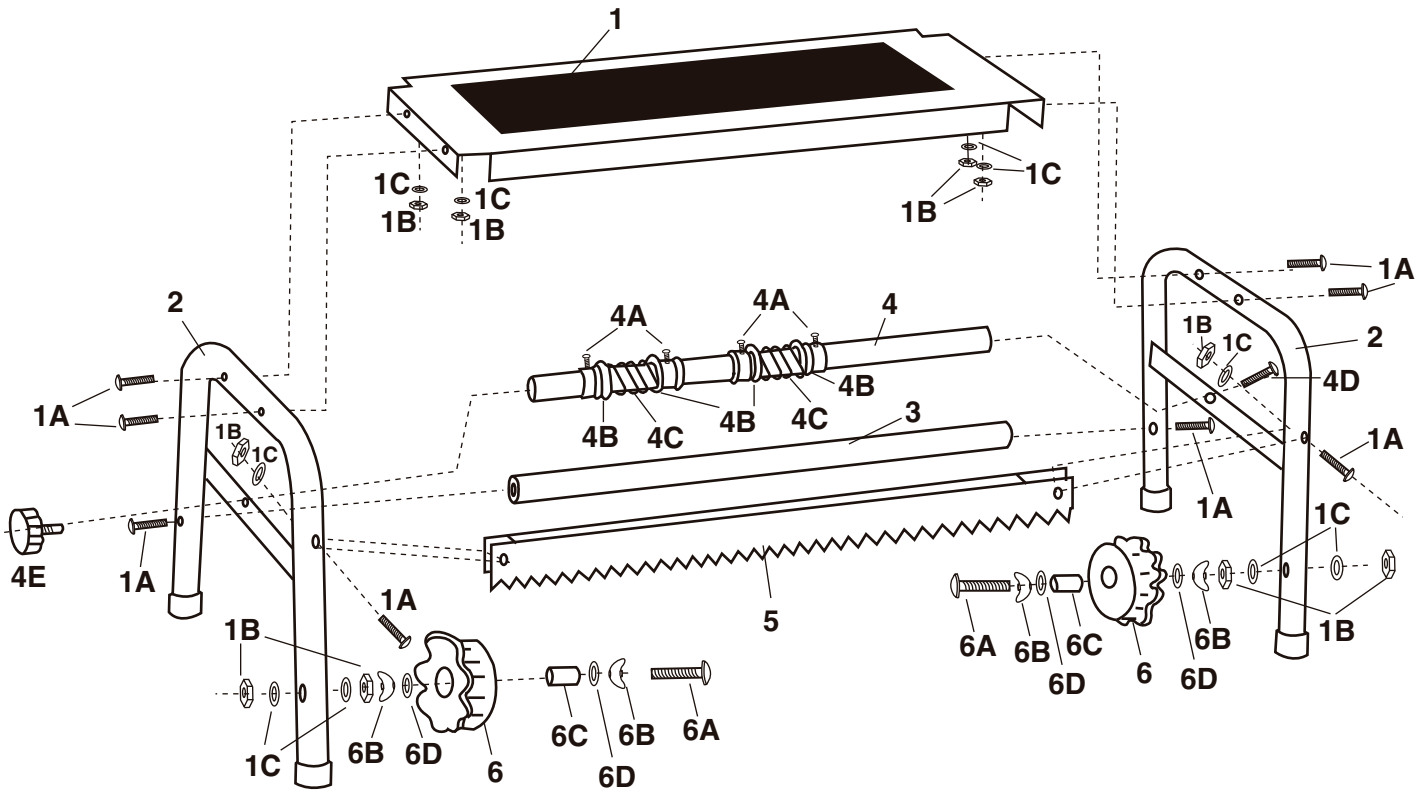
Model:

4577

Product Type:

Mobile Masking Machine

PARTS BREAKDOWN



Parts List

Part No.	Description	Qty
4577-01	Seat Board	1
4577-01A	M6 x 40 Bolt	8
4577-01B	M6 Nut	10
4577-01C	Ø6 x 12 Washer	10
4577-02	Frame	2
4577-03	Connection Bar	1
4577-04	Paper Roller Assembly	1
4577-04A	Paper Roller Fixer	4
4577-04B	Ø20 Washer	4

Part No.	Description	Qty
4577-04C	Spring	2
4577-04D	M10 x 40 Bolt	1
4577-04E	M10 Knob	1
4577-05	Cutting Blade and Spring	1
4577-06	Tape Wheel Assembly	2
4577-06A	M6 x 120 Bolt	2
4577-06B	Wing Nut	4
4577-06C	Tape Wheel Hub	2
4577-06D	06 x 17 Washer	4